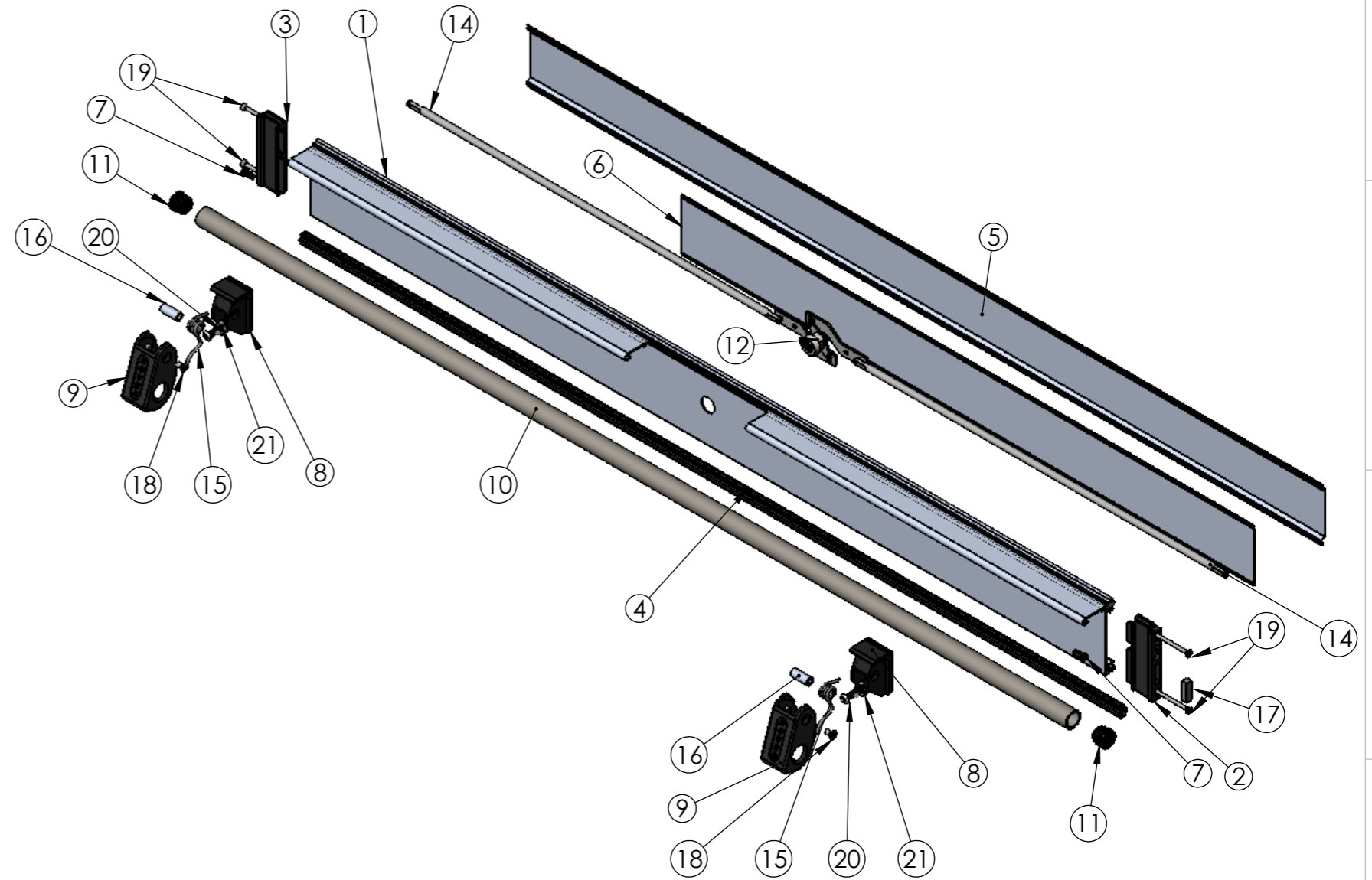


# N35 BOTTOM RAIL BILL OF MATERIALS

ITEM NO.	PART NUMBER	DESCRIPTION	QTY.
1	35DRS101	N35 BOTTOM RAIL EXTRUSION (LENGTH DETERMINED BY DOOR WIDTH)	1
2	35DRS104L	BOTTOM RAIL END CLIP LH	1
3	35DRS104R	BOTTOM RAIL END CLIP RH	1
4	35DRS105	N35-BOTTOM RAIL SEAL	1
5	35DRS103	N35 BOTTOM RAIL DEEP BACK COVER (BARLOCK KEYED OPTION)	1
6	35DRS102	N35 BOTTOM RAIL FLAT BACK COVER (BARLOCK ONLY OPTION)	1
7	35DRS108	BOTTOM RAIL LIP PLUG	2
8	35DRS601	BARLOCK HINGE PLATE-NYLON	2
9	35DRS602	BAR LOCK HOLDER-NYLON	2
10	LOCKIT-1080	7/8 DIA X 0.049 TUBE S/STEEL (LENGTH DETERMINED BY DOOR WIDTH)	1
11	NYLONP-1006	BAR LOCK END CAP	2
12	LOCKIT-1074	CH SERIES FLUSH LOCK	1
14	35DRS800	5/16" ALUMINUM LOCK BAR	2
15	35DRS603	BAR LOCK SPRING	2
16	35DRS604	ALUMINUM SPACER	2
17	MRA-580-188	N35 SQUARE MAGNET BAR	1
18	FASTEN-2116	M6-#10 SS MACHINE SCREW	4
19	FASTEN-2117	#10-2in SS SCREW	4
20	FASTEN-2108	1/4"x5/8" SS BUTTON HEAD SKT	2
21	FASTEN-1604	1/4"-20 SS NYLOC NUT	2



### N35 BOTTOM RAIL OPTIONS:

- 1) WITH or WITHOUT FLUSH CYLINDER KEYED LOCK
- 2) WITH or WITHOUT BAR LOCK
- 3) STANDARD BAR LOCK COVERS
- 4) T-HANDLE KEYED or NON-KEYED
- 5) WITH or WITHOUT PROXIMITY SWITCH/MAGNET

