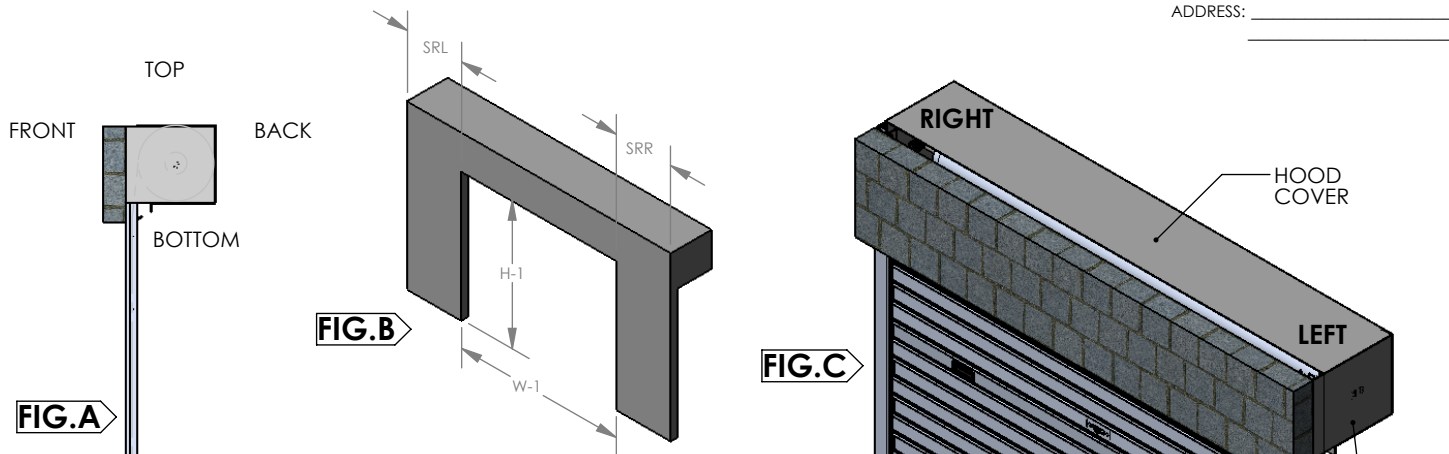




# 3 EA ORDER FORM

P.O. BOX 420  
 295 COMMERCE WAY  
 UPPER SANDUSKY, OH 43351  
 PH: (419)294-3373 FAX: (419)294-3329  
 WWW.doverrollersutters.com

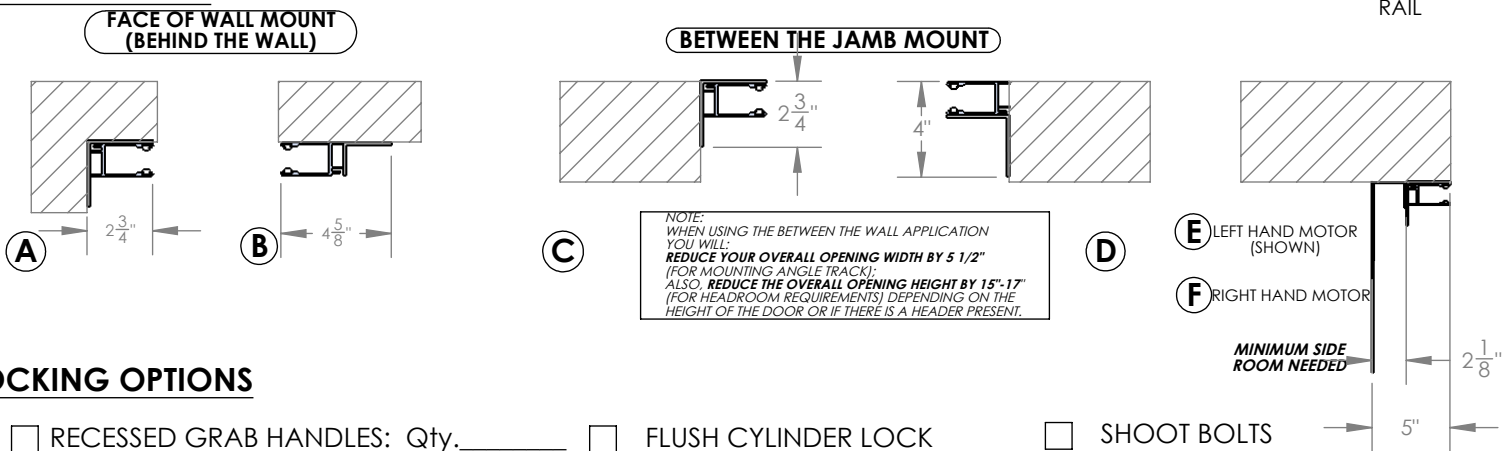
CUSTOMER: \_\_\_\_\_ P.O. #: \_\_\_\_\_  
 CONTACT: \_\_\_\_\_ QTY: \_\_\_\_\_ PRICE: \_\_\_\_\_  
 PHONE: \_\_\_\_\_ EMAIL: \_\_\_\_\_  
 FREIGHT: \_\_\_\_\_ SHIPPING ADDRESS: \_\_\_\_\_



**DIAGRAM KEY**  
 H-1: OVERALL OPENING HEIGHT  
 H-2: OVERALL HEAD ROOM (TOP OF OPENING TO CEILING)  
 W-1: OVERALL OPENING WIDTH  
 B: BACK ROOM  
 SRL: SIDE ROOM LEFT  
 SRR: SIDE ROOM RIGHT  
 VIEWS SHOW PROPER DIMENSION PLACEMENT

OPENING HEIGHT	HEAD ROOM REQUIRED	HEAD PLATE REQUIRED
0"-96"	15" MIN	12"x12"
96"-156"	17" MIN	14"x14"
UP TO 10'x8' MAX. DOOR HAND OPERATED--10'x8' TO 13'x11' MAX. POWER ASSISTED		

## TRACK OPTIONS



## LOCKING OPTIONS

- RECESSED GRAB HANDLES: Qty. \_\_\_\_\_ LOCATION:  WAIST HIGH  BOTTOM RAIL
- FLUSH CYLINDER LOCK LOCATION:  WAIST HIGH  BOTTOM RAIL
- SHOOT BOLTS LOCATION:  INSIDE  OUTSIDE

INSTRUCTIONS: PLEASE CAREFULLY MEASURE YOUR OPENING(S) AND FILL IN THE FOLLOWING

QTY.	(W-1) OPENING WIDTH	(H-1) OPENING HEIGHT	(H-2) HEAD ROOM	(B) BACK ROOM	(SRL) SIDE ROOM LEFT	(SRR) SIDE ROOM RIGHT	TRACK OPTION (A-F)	DOOR FINISH (ANODIZED OR POWDER COATED)	DOOR DRIVE (SPRING OR MOTOR)

PLEASE ALLOW 10 BUSINESS DAYS FROM THE THE ORDER DATE TILL SHIP DATE. YOU MAY SIGN AND RETURN YOUR ORDER via FAX AT 419-294-3329. ONCE THE ORDER IS SIGNED AND RETURNED , WE CAN BEGIN PRODUCTION ON YOUR ROLLER SHUTTERS.

**I ACCEPT AND CONFIRM THIS ORDER:** \_\_\_\_\_  
 CUSTOMER CONFIRMATION SIGNATURE DATE