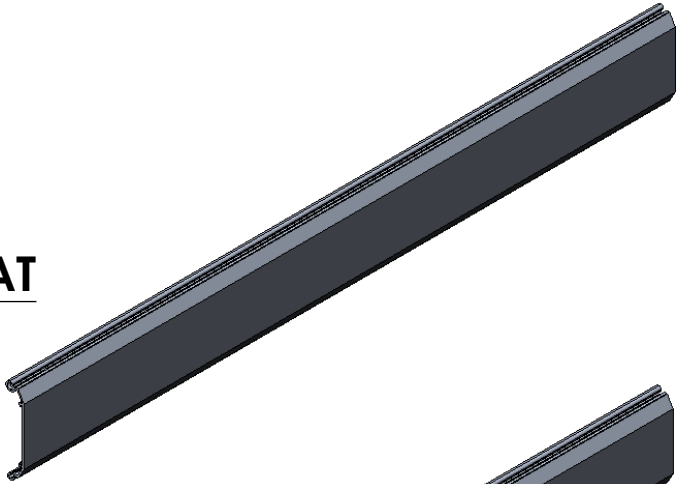


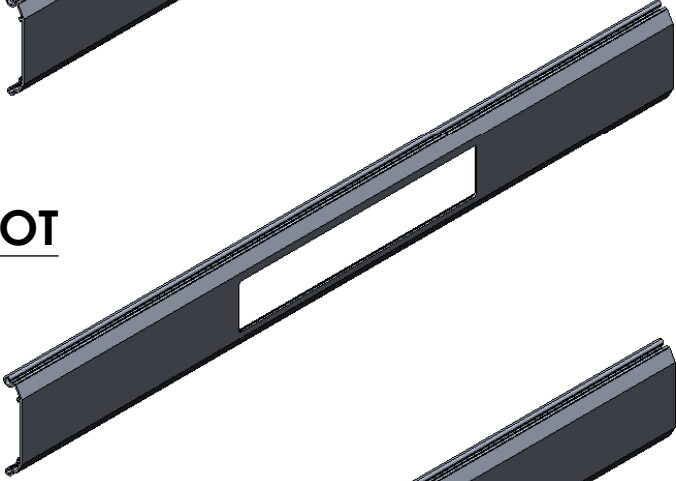
3 EA SLAT OPTIONS

NOTE:
 THE 3 EA SLAT OFFERS A SOLID OR SEE THROUGH PROFILE.
 TWO SLOTS ARE AVAILABLE A SMALL & LARGE SLOT
 (DIMENSIONS BELOW). WE ALSO OFFER LEXAN INSERTS FOR
 OUR SLOTTING SYSTEMS OFFERING A SEE THROUGH FORMAT WITH
 ADDED SECURITY OR COULD BE LEFT OUT FOR A VENTILATION OPTION.
 THE SLOTS CAN BE ARRANGED IN ANY ARRAY TO FIT OUR CUSTOMER'S
 NEEDS. AVAILABLE IN ANODIZED OR POWDER COATED FINISHES.

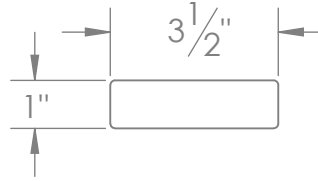
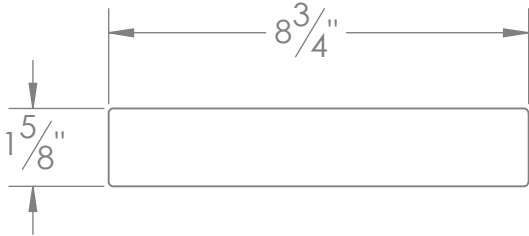
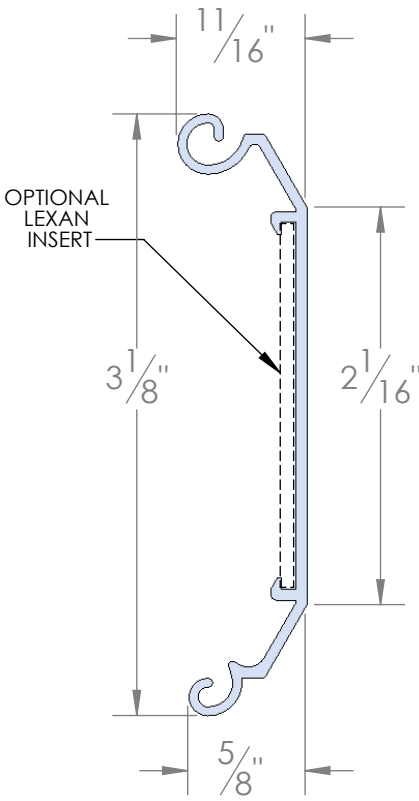
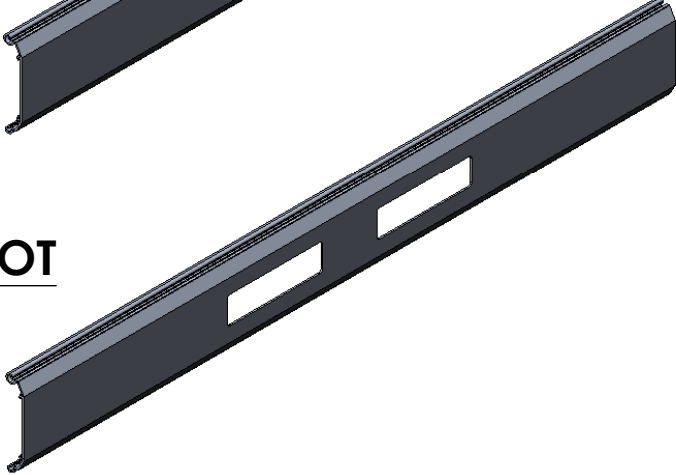
PLAIN SLAT



LARGE SLOT



SMALL SLOT



CONFIDENTIAL NOTE: This drawing and its specifications and engineering information disclosed hereon are the property of DIAMOND ROLL-UP DOOR, INC/ DOVER ROLLER SHUTTERS and are not to be disseminated or reproduced without express written consent. The drawing is loaned in confidence and then only for consideration of the material disclosed hereon. In accepting loan of this drawing, the recipient agrees to keep it and the material disclosed hereon in confidence and not to use nor permit their use in any way detrimental to DIAMOND ROLL-UP DOOR, INC / DOVER ROLLER SHUTTERS.

GENERAL TOLERANCES
 Linear Measurements:
 Unless Otherwise Stated
 +/- .002
 Angular Measurements:
 Unless Otherwise Stated
 +/- 0.5 deg.

DOVER Roller Shutters	DOVER ROLLER SHUTTERS 295 COMMERCE WAY UPPER SANDUSKY, OH 43351	
	PHONE: 419-294-3373	FAX 419-294-3329
NTS	DRAWN BY: B. COURTNEY	DWG. #
PART #:	DESCRIPTION: 3EA CURTAIN SAMPLES	