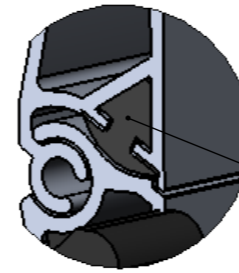
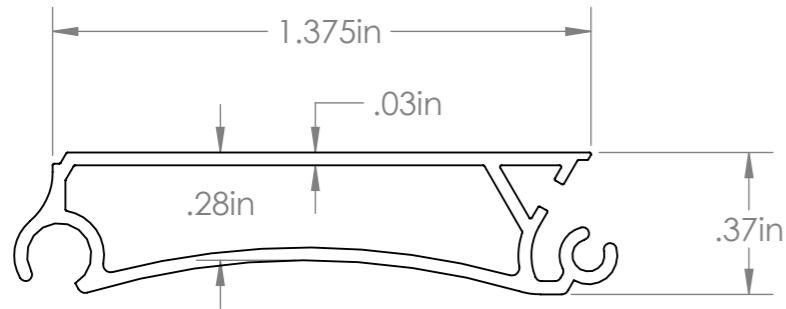
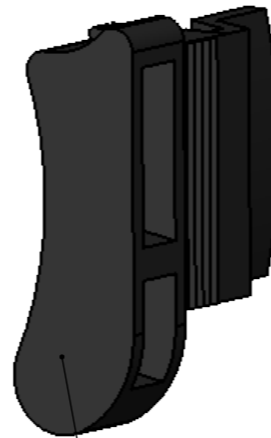


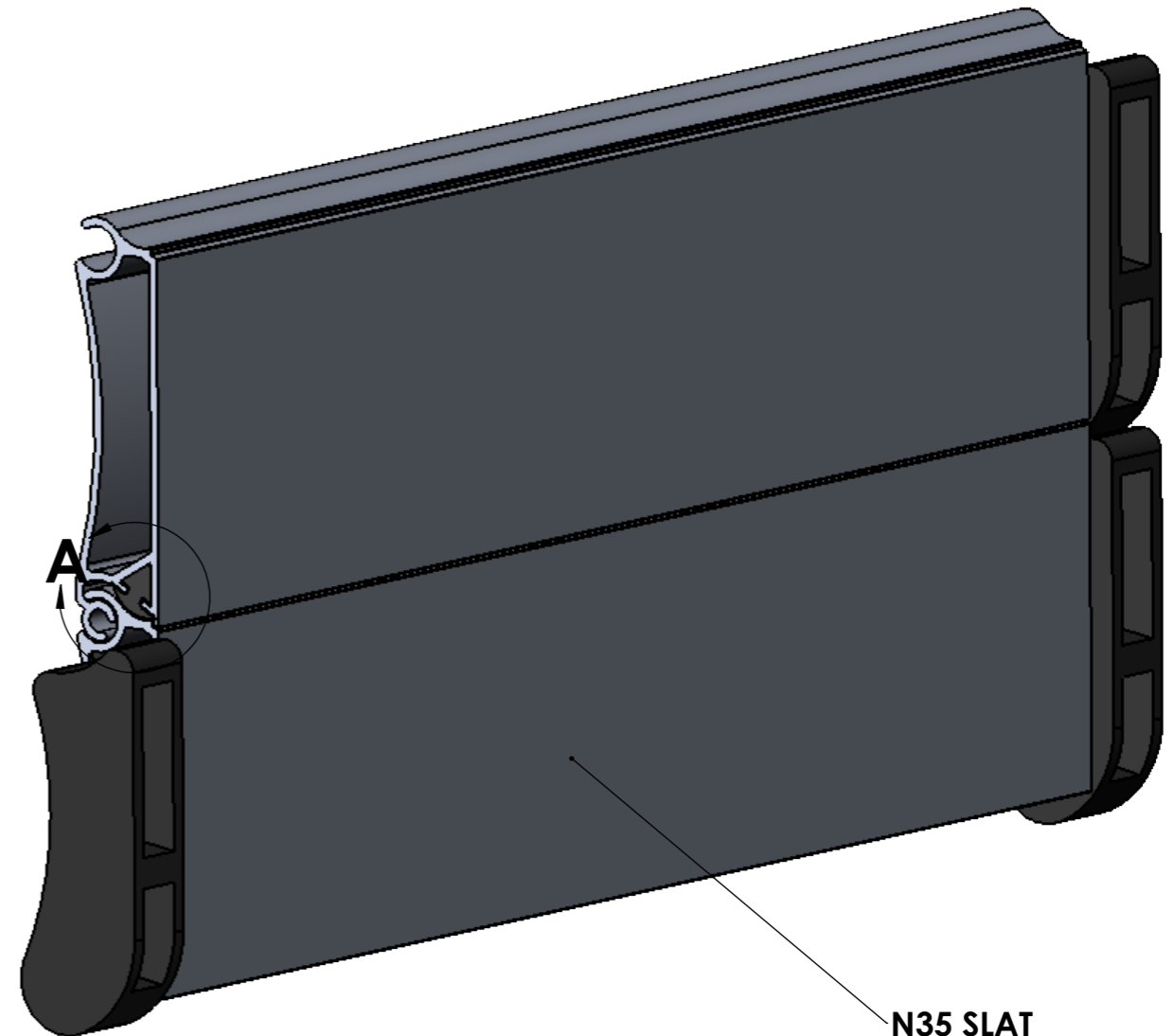
**N35 SLAT ASSEMBLY  
(35DRS701-ASSM)**



**SLAT SEAL  
(35DRS702)**



**N35 SLAT CLIP  
"INSIDE LOOKING OUT"  
(LH-35DRS703L)  
(RH-35DRS703R)**



**N35 SLAT  
(35DRS701)**

**N35 SLAT SPECIFICATIONS:**

- 1 3/8" HIEGHT
- DOUBLE WALLED EXTRUDED ALUMINUM
- ALLOY 6063-T5
- EACH SLAT HAS INTEGRATED WEATHER STRIP
- AVAILABLE FINISHES:
  - CLEAR ANODIZED
  - POWDER COATED TO MATCH
  - WET PAINT TO MATCH

**SLAT CLIP**

- INTERLOCKING NYLON END CLIPS FITTED WITH ENGINEERED LOCKING SYSTEM. NO MECHANICAL FASTENERS NEEDED.