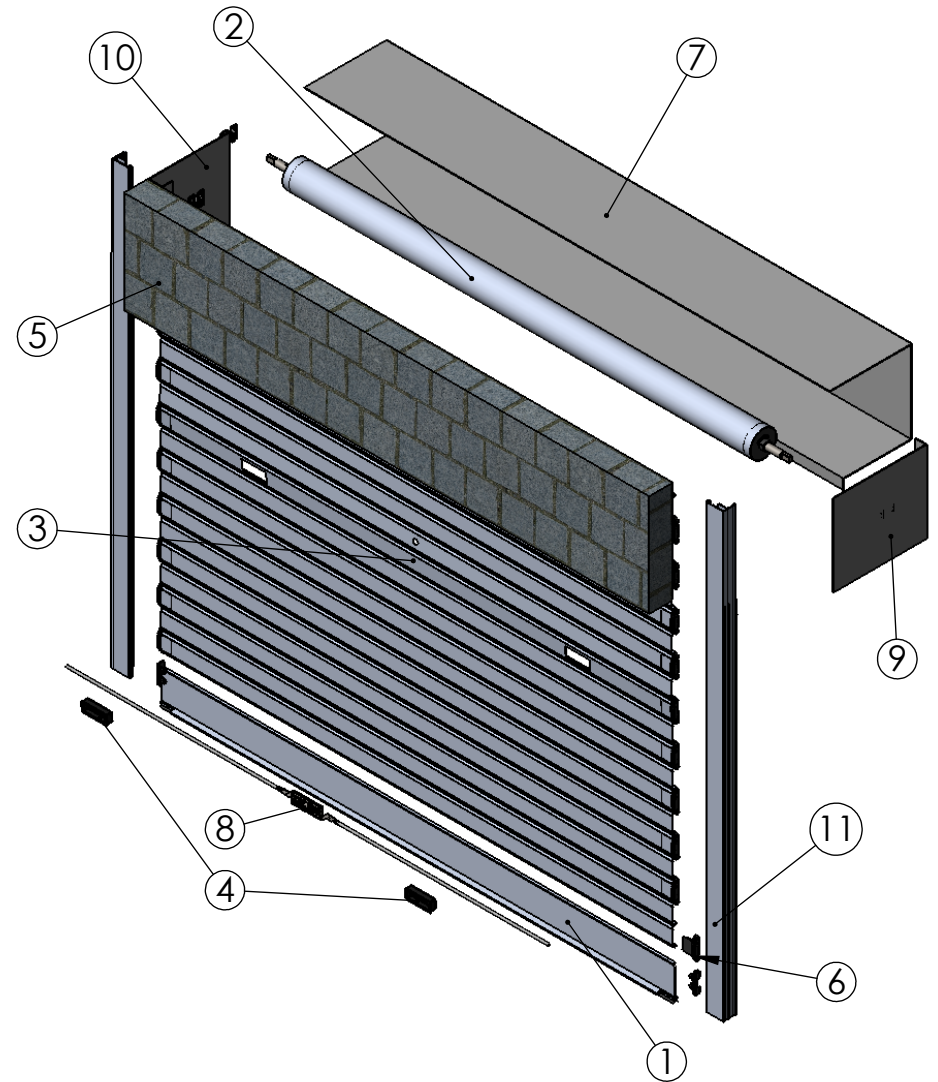


ITEM NO.	PART NUMBER	DESCRIPTION
1	ALEXTR-1436	HEAVY DUTY BOTTOM RAIL
2	CBASSM-1000	4" COUNTERBALANCE ASSEMBLY
3	ALEXTR-1620	3EA SLAT
4	HANDLE-1008	RECESSED GRAB HANDLE 1 1/4"x3 1/2"
5	NYLONP-1024	3EA LH END CLIP
6	NYLONP-1025	3EA RH END CLIP
7	HOODCOV-1000	HOOD COVER
8	LOCKIT-1074	FLUSH CYLINDER LOCK
9	CBHARD-1403	12"x14" LH Head Plate
10	CBHARD-1400	12"x14" RH Head Plate
11	ALEXTR-1431	COMBO GUIDE

NOTES:
EYE CATCHING APPEARANCE SUITABLE FOR STORE FRONTS, COUNTER-TOP OR STORAGE TYPE APPLICATIONS.
THE 3EA OFFERS SOLID OR TRANSPARENT PROFILES. LEXAN INSERTS OFFER TRANSPARENT WINDOWS FOR ADDED SECURITY OR CAN BE LEFT OUT FOR VENTILATION PURPOSES.(SEE SLOTTED RENDERINGS FOR DETAILS)
LOCKING SYSTEM AT WAIST HEIGHT OR IN BOTTOM RAIL"OR BOTH" TO OFFER HEIGHTENED SECURITY.
AVAILABLE IN ANODIZED OR POWDER COATED FINISHES.
AVAILABLE WITH HAND OPERATED OR ELECTRICAL TUBE MOTOR OPERATED.



OPENING HEIGHT	HEAD ROOM REQUIRED	HEAD PLATE REQUIRED
0"-96"	15" min.	12"x12"
96"-156"	17" min.	14"x14"
UP TO 10'x8' MAX. DOOR HAND OPERATED--UP TO 13'x11' MAX. POWER ASSISTED		

CONFIDENTIAL NOTE: This drawing and its specifications and engineering information disclosed hereon are the property of DIAMOND ROLL-UP DOOR, INC/ DOVER ROLLER SHUTTERS and are not to be disseminated or reproduced without express written consent. The drawing is loaned in confidence and then only for consideration of the material disclosed hereon. In accepting loan of this drawing, the recipient agrees to keep it and the material disclosed hereon in confidence and not to use nor permit their use in any way detrimental to DIAMOND ROLL-UP DOOR, INC / DOVER ROLLER SHUTTERS.



DOVER ROLLER SHUTTERS
 295 COMMERCE WAY
 UPPER SANDUSKY, OH 43351
 PHONE: 419-294-3373 FAX 419-294-3329

DRAWN BY:
 B. COURTNEY

DESCRIPTION:
 3EA STANDARD CURTAIN