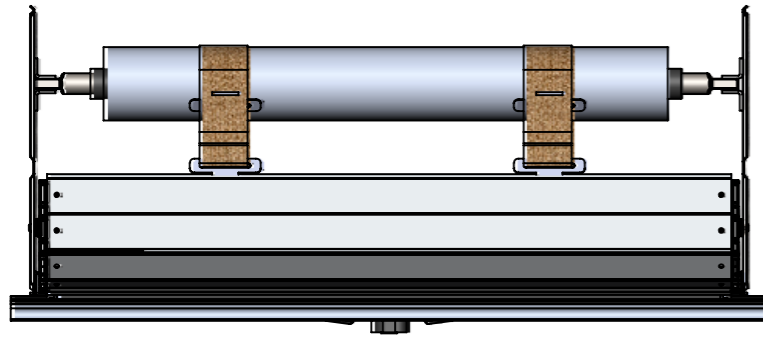


2EB ROLLER SHUTTER SPECIFICATIONS:

TOP VIEW



SLAT:

1 1/4" HIGH - .040" DOUBLE WALLED EXTRUDED ALUMINUM - ALLOY 6063-T5.
EACH SLAT HAS INDEPENDENT WEATHER STRIP TO PROTECT FROM THE ELEMENTS.
CLEAR ANODIZED, POWDER COAT & WET PAINT FINISHES AVAILABLE.

END LOCKS:

INTERLOCKING NYLON END CLIPS FITTED TO BOTH SIDES OF EACH SLAT & MECHANICALLY FASTENED WITH ALUM. RIVETS.

GUIDE/TRACK:

SIDE FIXED, FRONT FIXED & BEHIND THE WALL FASTENING, EXTRUDED ANODIZED ALUMINUM 6063-T5.
ALSO CLEAR ANODIZED, POWDER COATED & WET PAINT FINISHES AVAILABLE.

BOTTOM RAIL:

MULTIPLE OPTIONS OF EXTRUDED ANODIZED ALUMINUM 6063-T5, 3"-4" HIGH WITH OR WITHOUT INTEGRATED FINGER RAIL.

LOCKING:

MULTIPLE OPTIONS FROM SLAM LOCKS, FLUSH LOCKS & BAR LOCK ASSEMBLIES WITH OPTIONAL FLUSH CYLINDER LOCKING.

HEAD PLATES:

CUSTOM FABRICATED FROM MILD STEEL TO SUIT UNIVERSAL AND SPECIAL APPLICATIONS.

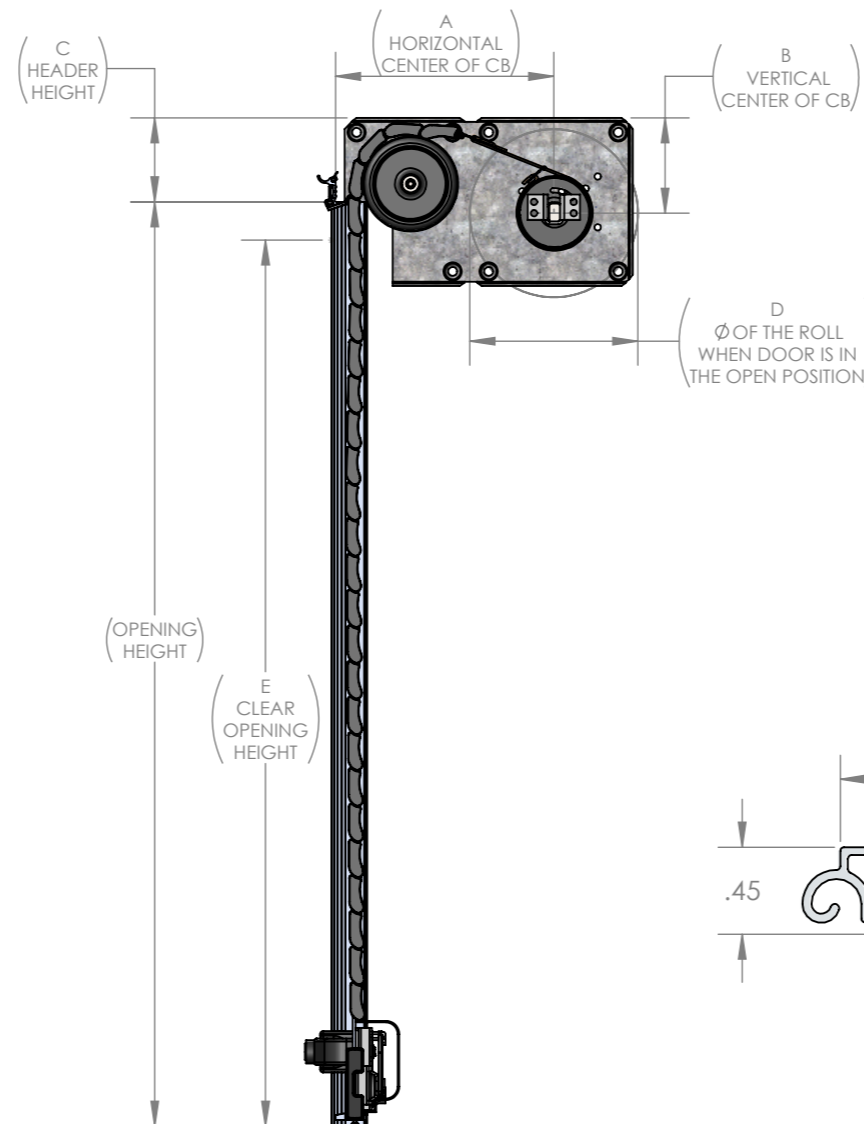
COUNTERBALANCE:

3" & 4" LIGHT WEIGHT ALUMINUM TUBE, CALCULATED HELICAL COIL SPRING & 3/4" STEEL SHAFT.

FRONT VIEW



SIDE VIEW



MAX. OPENING SIZE					
WHEEL ASSISTED-UP TO 90"W x UP TO 60"H 5400sq. in					
ROLLER ONLY-UP TO 120"W x UP TO 90"H 10,800sq. in					
OPENING HEIGHT	A	B	C	D	E
20"	7 3/8"	3"	8 1/4"	5 3/8"	16"
30"	7 3/4"	3"		6"	26"
40"	8"	3 3/8"		6 3/4"	36"
50"	8 3/8"	3 5/8"	8 3/8"	7 1/4"	46"
60"	8 3/4"	3 3/4"		7 3/4"	56"
70"	9"	4"	8 3/8"	8 3/8"	66"
80"	9 3/8"	4 1/2"	9"	9"	76"
90"	9 3/4"	5 5/8"	9 5/8"	9 5/8"	86"

THESE DIMENSIONS ARE FOR THE MOST COMMON CONFIGURATION. BETWEEN THE WALL FRONT ROLL ASSIST WITH A 3" COUNTER BALANCE. (SHOWN)

