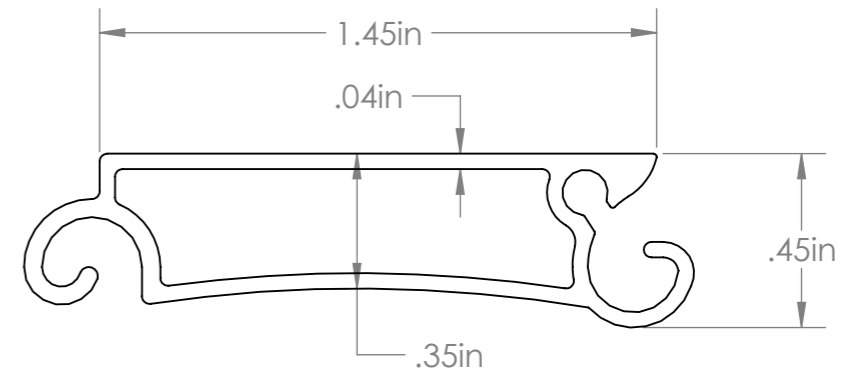
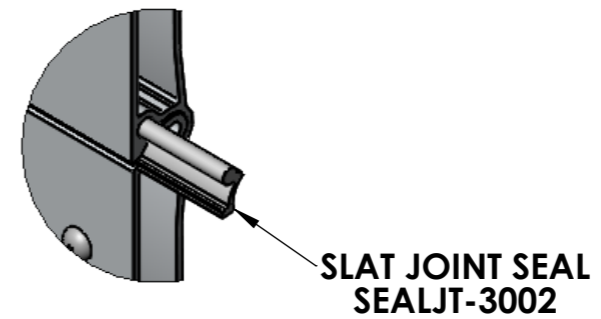
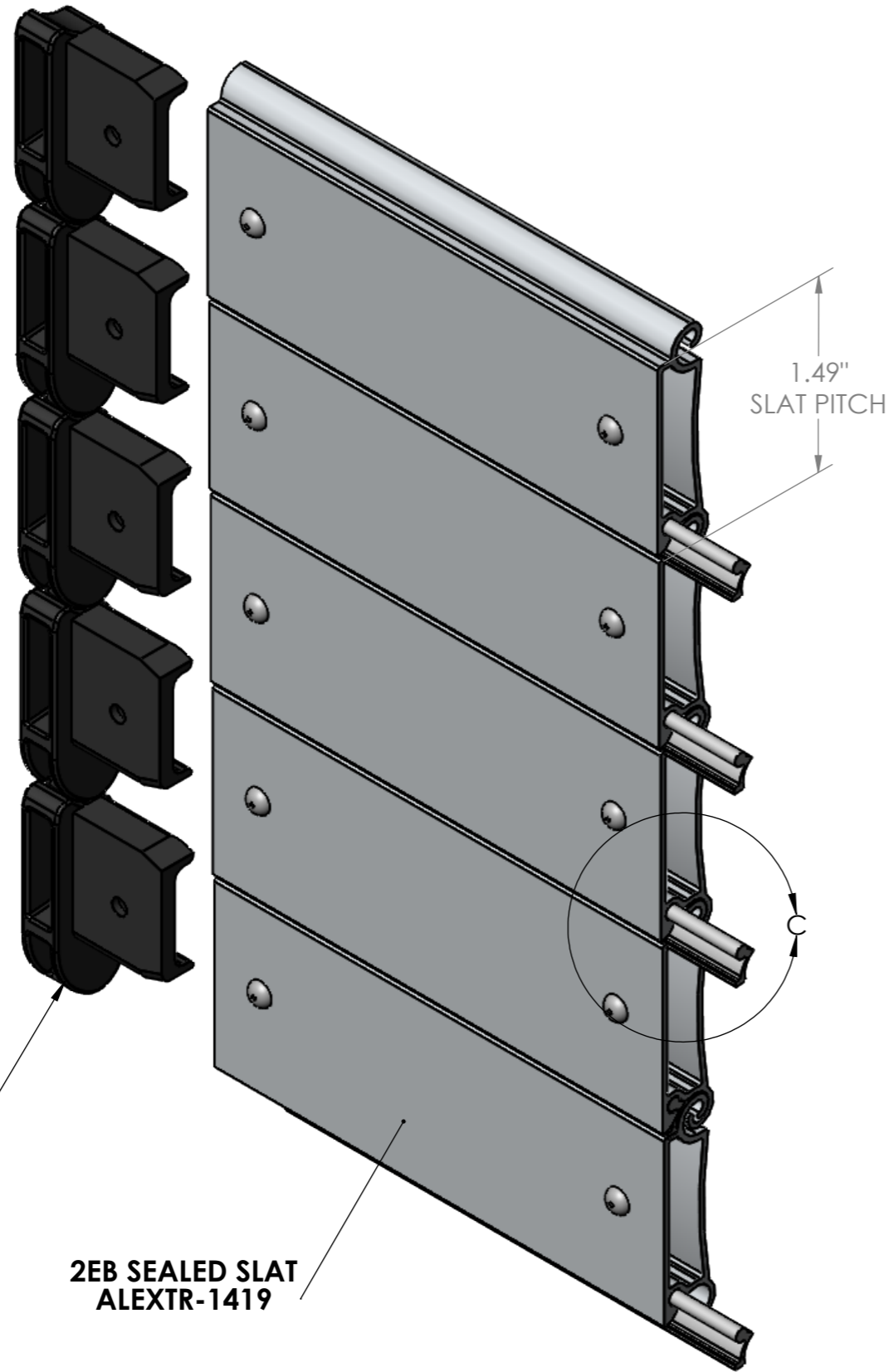


**2EB TRUCK DOUBLE WALL SLAT**



**2EB TRUCK SLAT SPECIFICATIONS**

- 1 1/2" HIGH x .35" THICK x .040 DOUBLE WALLED
- EXTRUDED ALUMINUM ALLOY 6063-T3
- EACH SLAT HAS INTEGRATED WEATHER STRIP
- AVAILABLE FINISHES:
  - CLEAR ANODIZED
  - POWDER COAT TO MATCH
  - MILL FINISH
  - WET PAINT TO MATCH

**2EB SLAT CLIP**

- INTERLOCKING NYLON END CLIPS FITTED WITH MECHANICAL FASTENER SYSTEM. (ALUMINUM RIVETS)