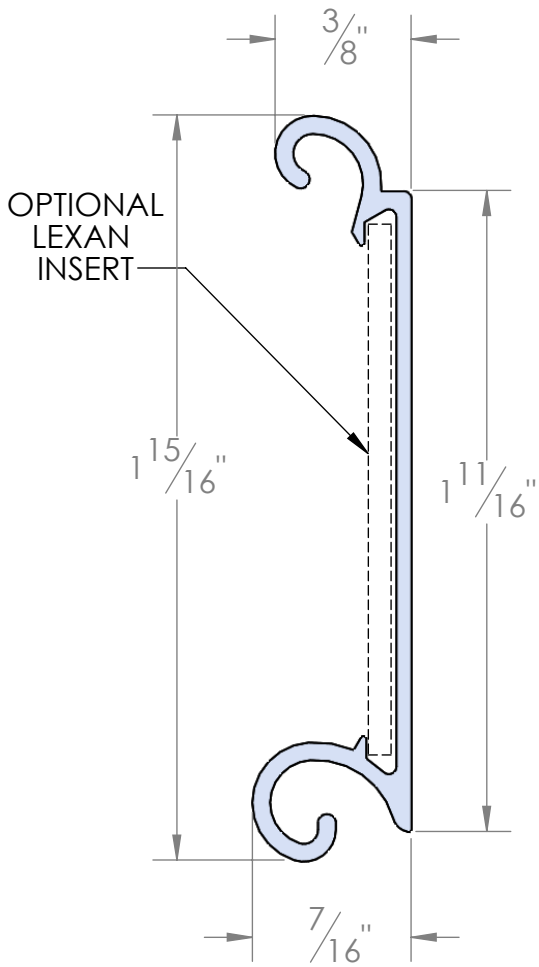
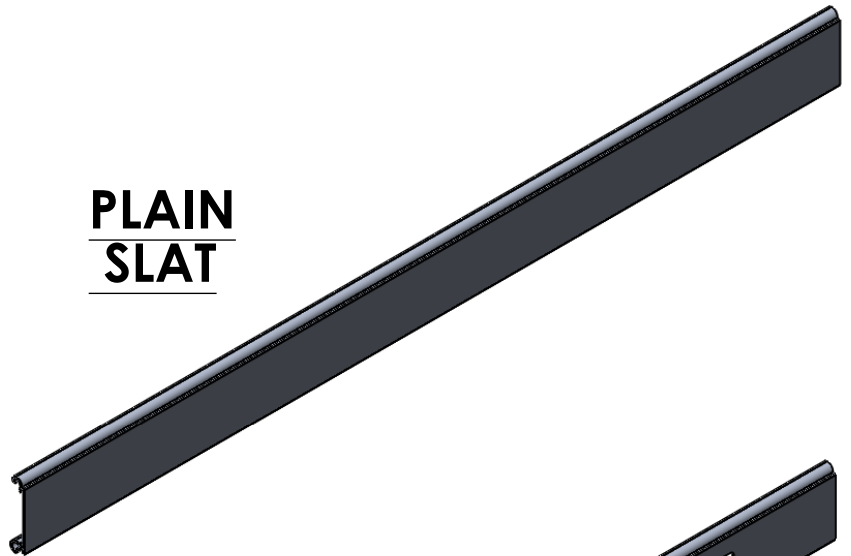


# 2EA ARCHITECTURAL SLAT OPTIONS



**PLAIN  
SLAT**

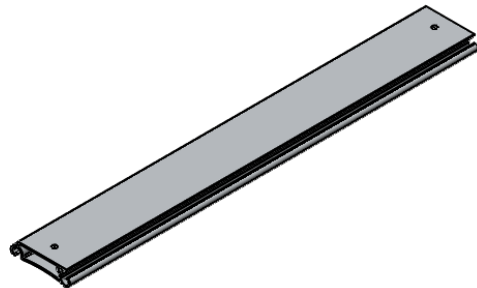
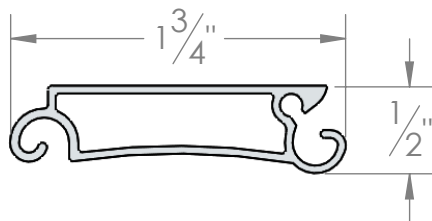


**SLOTTED  
SLAT**



**NOTE:**

THE 2 EA SLAT OFFERS A SOLID OR SEE THROUGH PROFILE. (DIMENSIONS ABOVE). WE ALSO OFFER LEXAN INSERTS FOR OUR SLOTTING SYSTEMS, OFFERING A SEE THROUGH FORMAT WITH ADDED SECURITY OR COULD BE LEFT OUT FOR A VENTILATION OPTION. THE SLOTS CAN BE ARRANGED IN ANY ARRAY TO FIT OUR CUSTOMER'S NEEDS. AVAILABLE IN ANODIZED OR POWDER COATED FINISHES.



**FOR ADDED RIGIDITY OUR 2EB SEALED SLAT CAN BE USED IN PLACE OF THE 2EA SLAT. IT OFFERS A DOUBLE WALL EXTRUSION ALONG WITH SEALS TO PROTECT FROM THE ELEMENTS**

CONFIDENTIAL NOTE: This drawing and its specifications and engineering information disclosed hereon are the property of DIAMOND ROLL-UP DOOR, INC / DOVER ROLLER SHUTTERS and are not to be disseminated or reproduced without express written consent. The drawing is loaned in confidence and then only for consideration of the material disclosed hereon. In accepting loan of this drawing, the recipient agrees to keep it and the material disclosed hereon in confidence and not to use nor permit their use in any way detrimental to DIAMOND ROLL-UP DOOR, INC / DOVER ROLLER SHUTTERS.

**GENERAL TOLERANCES**

Linear Measurements:  
Unless Otherwise Stated  
+/- .002  
Angular Measurements:  
Unless Otherwise Stated  
+/- 0.5 deg.

**DOVER ROLLER SHUTTERS**  
295 COMMERCE WAY  
UPPER SANDUSKY, OH 43351

PHONE: 419-294-3373 FAX: 419-294-3329



SCALE: 1:10

DRAWN BY:

B. COURTNEY

DWG. #:

PART #:

ALEXTR-1415

DESCRIPTION:

2EA SLAT OPTIONS